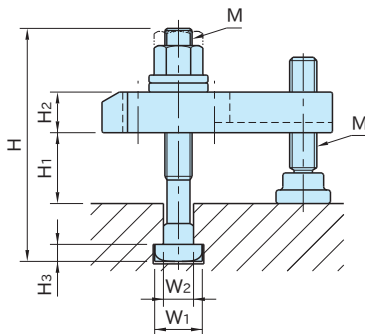
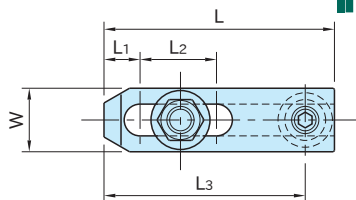
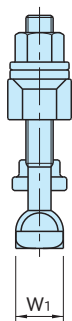


# BJ153-B-T

# 成套内槽压板(T形槽型)



| T形槽螺栓        | 其它                     |
|--------------|------------------------|
| 钢铁<br>四氧化三铁膜 | S45C<br>淬火回火<br>四氧化三铁膜 |

| 型 号             | H <sub>1</sub> | L   | W  | H   | W <sub>2</sub> | W <sub>1</sub> | M        | L <sub>2</sub> | L <sub>1</sub> | L <sub>3</sub> | H <sub>2</sub> | H <sub>3</sub> | 夹紧力(kN)<br>突出量 max.~min. | 容许紧固扭矩<br>(N·m) | 质量<br>(kg) |
|-----------------|----------------|-----|----|-----|----------------|----------------|----------|----------------|----------------|----------------|----------------|----------------|--------------------------|-----------------|------------|
| BJ153-12063B1-T | 15~45          | 63  |    | 108 |                |                |          | 14             | 14             | 52             | 16             |                | 13.7~21.6                | 71              | 0.41       |
| BJ153-12063B2-T | 15~70          |     |    | 133 |                |                |          |                |                |                |                |                |                          |                 | 0.44       |
| BJ153-12063B3-T | 20~105         |     |    | 168 |                |                |          |                |                |                |                |                |                          |                 | 0.5        |
| BJ153-12080B1-T | 15~45          | 80  |    | 108 |                |                |          | 25             |                | 69             |                |                | 10.3~21                  |                 | 0.46       |
| BJ153-12080B2-T | 15~70          |     |    | 133 |                |                |          |                |                |                |                |                |                          |                 | 0.49       |
| BJ153-12080B3-T | 20~105         |     |    | 168 |                |                |          |                |                |                |                |                |                          |                 | 0.55       |
| BJ153-12100B1-T | 15~40          | 100 | 32 | 108 | 13.7           | 22             | M12×1.75 | 40             |                | 89             | 8              |                | 10.9~25.8                | 80              | 0.57       |
| BJ153-12100B2-T | 15~65          |     |    | 133 |                |                |          |                |                |                |                |                |                          |                 | 0.6        |
| BJ153-12100B3-T | 20~100         |     |    | 168 |                |                |          |                |                |                |                |                |                          |                 | 0.66       |
| BJ153-12125B1-T | 15~40          | 125 |    | 108 |                |                |          | 20             |                |                |                |                | 12.9~27.5                |                 | 0.66       |
| BJ153-12125B2-T | 15~65          |     |    | 133 |                |                |          |                |                |                |                |                |                          |                 | 0.69       |
| BJ153-12125B3-T | 20~100         |     |    | 168 |                |                |          |                |                |                |                |                |                          |                 | 0.75       |
| BJ153-12160B1-T | 15~40          | 160 |    | 108 |                |                |          |                |                |                |                |                | 15.4~28.8                |                 | 0.79       |
| BJ153-12160B2-T | 15~65          |     |    | 133 |                |                |          |                |                |                |                |                |                          |                 | 0.82       |
| BJ153-12160B3-T | 20~100         |     |    | 168 |                |                |          |                |                |                |                |                |                          |                 | 0.88       |

| 型 号             | H <sub>1</sub> | L   | W  | H   | W <sub>2</sub> | W <sub>1</sub> | M     | L <sub>2</sub> | L <sub>1</sub> | L <sub>3</sub> | H <sub>2</sub> | H <sub>3</sub> | 夹紧力(kN)<br>突出量 max.~min. | 容许紧固扭矩<br>(N·m) | 质量<br>(kg) |           |  |      |           |     |      |           |  |      |
|-----------------|----------------|-----|----|-----|----------------|----------------|-------|----------------|----------------|----------------|----------------|----------------|--------------------------|-----------------|------------|-----------|--|------|-----------|-----|------|-----------|--|------|
| BJ153-16080B1-T | 20~55          | 80  |    | 135 | 17.7           | 28             | M16×2 | 17             | 18             | 65             | 19             |                | 16.6~26                  | 115             | 0.81       |           |  |      |           |     |      |           |  |      |
| BJ153-16080B2-T | 20~85          |     |    | 170 |                |                |       |                |                |                |                |                |                          |                 | 0.87       |           |  |      |           |     |      |           |  |      |
| BJ153-16080B3-T | 50~130         |     |    | 210 |                |                |       |                |                |                |                |                |                          |                 | 1          |           |  |      |           |     |      |           |  |      |
| BJ153-16100B1-T | 20~50          | 100 |    | 135 |                |                |       | 17.7           | 28             | M16×2          | 30             |                | 85                       |                 | 10         | 14.2~28.4 |  | 1.03 |           |     |      |           |  |      |
| BJ153-16100B2-T | 20~85          |     |    | 170 |                |                |       |                |                |                |                |                |                          |                 |            |           |  | 1.09 |           |     |      |           |  |      |
| BJ153-16100B3-T | 50~125         |     |    | 210 |                |                |       |                |                |                |                |                |                          |                 |            |           |  | 1.21 |           |     |      |           |  |      |
| BJ153-16125B1-T | 20~50          | 125 | 38 | 135 |                |                |       |                |                |                | 17.7           | 28             | M16×2                    |                 |            |           |  |      | 14.7~31.1 | 129 | 1.16 |           |  |      |
| BJ153-16125B2-T | 20~85          |     |    | 170 |                |                |       |                |                |                |                |                |                          |                 |            |           |  |      |           |     | 1.22 |           |  |      |
| BJ153-16125B3-T | 50~125         |     |    | 210 |                |                |       |                |                |                |                |                |                          |                 |            |           |  |      |           |     | 1.34 |           |  |      |
| BJ153-16160B1-T | 20~50          | 160 |    | 135 |                |                |       |                |                |                |                |                |                          | 17.7            | 28         | M16×2     |  |      |           |     |      | 15.3~33.4 |  | 1.34 |
| BJ153-16160B2-T | 20~85          |     |    | 170 |                |                |       |                |                |                |                |                |                          |                 |            |           |  |      |           |     |      |           |  | 1.4  |
| BJ153-16160B3-T | 50~125         |     |    | 210 |                |                |       |                |                |                |                |                |                          |                 |            |           |  |      |           |     |      |           |  | 1.52 |

### 使用示例及使用方法

